

**THE BARRICADE  
COMPANY & TRAFFIC  
SUPPLY, INC.**

265 Roberts Ave.  
Santa Rosa, CA 95402  
Phone: (707) 523-2350  
Fax: (707) 523-3124

**10'x10'x4' MANHOLE BOX  
MANUFACTURER'S  
TABULATED DATA**

MODEL NUMBER:	4BCMBJ
SERIAL NUMBER:	185
MAX. PRESSURE CAPACITY:	1,050 PSF

MANHOLE BOX HEIGHT:	4'
MANHOLE BOX LENGTH:	10'

**SPECIFICATIONS FOR USE**

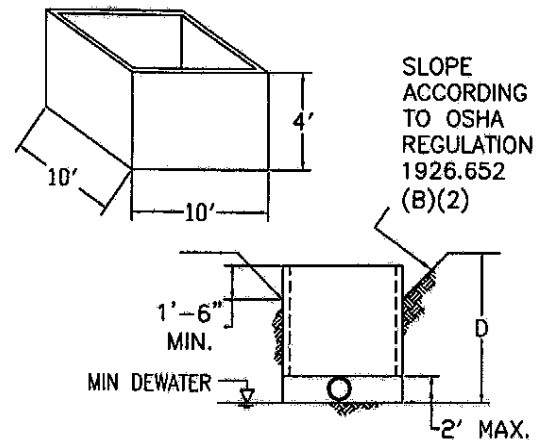
1. ALL EXCAVATIONS SHALL BE IN ACCORDANCE WITH OSHA CFR 29, PART 1926, SUBPART P.
2. SOIL SHALL BE CLASSIFIED IN ACCORDANCE WITH OSHA APPENDIX A BY A COMPETENT PERSON, OR BY A REGISTERED CIVIL ENGINEER PRIOR TO INSTALLING THIS EQUIPMENT.
3. ALLOWABLE DEPTH RATINGS BASED ON A MAXIMUM SURCHARGE PRESSURE OF 72 PSF. CERTIFIED DEPTHS WILL BE INVALID IF HEAVY EQUIPMENT OR EXCAVATED SOIL IS PLACED ADJACENT TO TRENCH.
4. BOTTOM OF SHIELD MUST NOT BE MORE THAN TWO FEET ABOVE THE TRENCH BOTTOM IN ACCORDANCE WITH 29 CFR PART 1926.652(g)(2) OF FEDERAL OSHA.
5. THIS TABULATED DATA IS A GENERAL SET OF GUIDELINES & CHARTS TO ASSIST THE COMPETENT PERSON IN SELECTING A SAFETY SYSTEM WITH PROPER SHORING EQUIPMENT. THE COMPETENT PERSON HAS SOLE RESPONSIBILITY FOR JOB SITE SAFETY & THE PROPER SELECTION OF THE SHORING EQUIPMENT.
6. THIS TABULATED DATA IS NOT INTENDED TO BE USED AS A JOB SPECIFIC EXCAVATION SAFETY PLAN, BUT SHALL BE USED BY THE COMPETENT PERSON TO SUPPLEMENT HIS TRAINING, HIS KNOWLEDGE AND EXPERIENCE OF THE JOB CONDITIONS AND SOIL TYPES.
7. MEANS AND METHODS ASSOCIATED WITH THE EXCAVATION, AND INSTALLATION & REMOVAL OF THE SHORING SYSTEM ARE THE SOLE RESPONSIBILITY OF THE CONTRACTOR.
8. CERTIFICATION IS NOT VALID IF SHIELD IS MODIFIED IN ANY MANNER BY ATTACHING, WELDING OR RESTING ANY OTHER SHIELDS OR PLATE TO EXTEND THE SPECIFIED HEIGHT, LENGTH, OR CLEARANCE OUTLINED ABOVE.
9. CERTIFICATION IS NOT VALID IF THE SHORING SYSTEM SHOWS EXCESSIVE WEAR, IS PERMANENTLY DAMAGED, IS NOT MAINTAINED OR REPAIRED PROPERLY.
10. GROUND WATER LEVEL MUST BE LOCATED OR DRAWN DOWN TO BELOW BASE OF EXCAVATION, OTHERWISE SOIL MUST BE CLASSIFIED AS TYPE C-80.
11. FILL ALL VOIDS BETWEEN TRENCH WALL AND SHIELD.
12. SHORING MUST BE CLEAR OF ALL ADJACENT BUILDING STRUCTURES BY A DISTANCE EQUAL TO FOUR TIMES THE MAXIMUM CUT DEPTH AT ALL TIMES, OTHERWISE CERTIFICATION IS INVALID A LICENSED ENGINEER IS REQUIRED TO EVALUATED SITE SPECIFIC CONDITIONS.

D.H. CHARLES ENGINEERING, INC.  
4706 Hoen Avenue  
Santa Rosa, CA 95405  
Ph: (707) 537-8282 Fax: (707) 537-8338

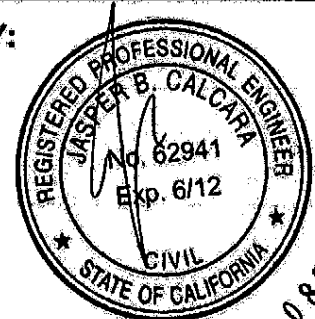
**MAXIMUM ALLOWABLE MANHOLE  
BOX DEPTH "D" PER SOIL TYPES:**

TYPE A	35'
TYPE B	29'
TYPE C-60	20'
TYPE C-80	15'

THE SOIL TYPE SHALL BE CLASSIFIED BY A COMPETENT PERSON PER FEDERAL OSHA CONSTRUCTION SAFETY ORDERS, CFR 29 APPENDIX A.  
DEPTH RATINGS ACCOUNT FOR 72 PSF MINIMUM OSHA SURCHARGE.



**CERTIFIED BY:**  
MUST BE SIGNED  
& DATED



JUL 08 2011