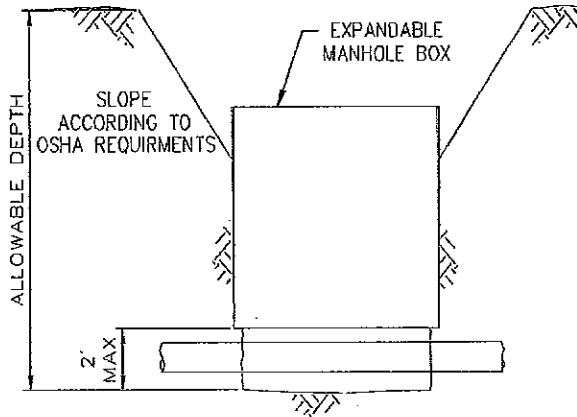
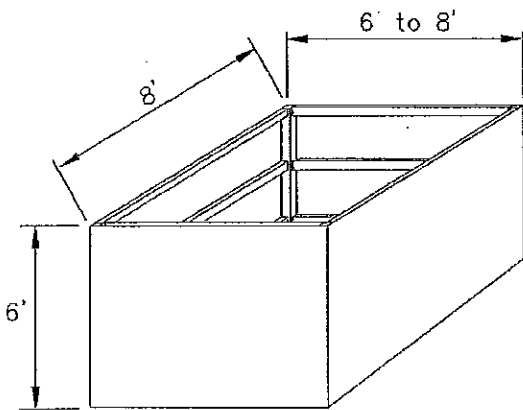


# MANUFACTURERS TABULATED DATA SHEET

MANUFACTURERS DATA	
MODEL HYDRAULIC-PLYWOOD 6 x 8 x 8	
BOX DEPTH	6 FT
LENGTH	8 FT
WALL THICKNESS	4.0 IN
SHIELD WEIGHT	1500 LBS


BOX RATING(PSF)	ALLOWABLE LOADING AND DEPTH (FT)			
	A-25	B-45	C-60	C-80
925	30	30	15	12



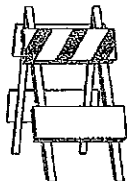
**Notes:**

- 1) All excavations shall be in accordance with OSHA CFR 29, Part 1926, Subpart P. July 1997.
- 2) Soil shall be classified in accordance with OSHA Appendix A or by a registered civil engineer prior to installing this equipment.
- 3) Box may be held 2 ft above the bottom of the excavation. Boxes may be stacked provided stacking pins are used.
- 4) Surcharge load shall be determined by a competent person or engineer. The above depth ratings allow a 72 PSF surcharge load. Equipment and spoil piles spaced minimum 2 FT from the edge of the excavation will exert a 72 PSF surcharge load.
- 5) Repairs and modifications shall be approved by manufacturer or RCE.
- 6) Box can be installed at grade level.

## MANHOLE BOX 6X8X8


**J.M. TURNER ENGINEERING, INC.**  
 CONSULTING ENGINEERS  
 1335 N. DUTTON AVE. SANTA ROSA, CA  
 (707) 528-4503 FAX (707) 528-4505

DATE	REVISED	JOB
9/12/2006	4/5/2007	9769-1



**THE BARRICADE COMPANY**  
 & Traffic Supply, INC

265 Roberts Avenue  
 P.O. Box 3018  
 Santa Rosa, CA. 95402

Phone (707) 523-2350  
 Fax (707) 523-3124

